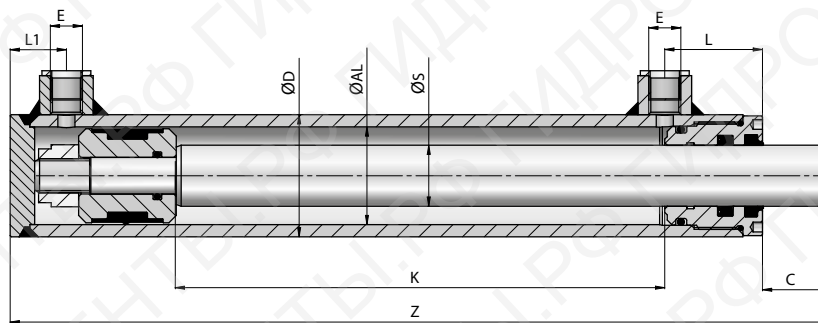
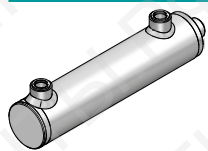


**НМО**

ГИДРОЦИЛИНДР ДВУХСТОРОННЕГО ДЕЙСТВИЯ

Серия М250

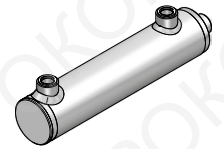
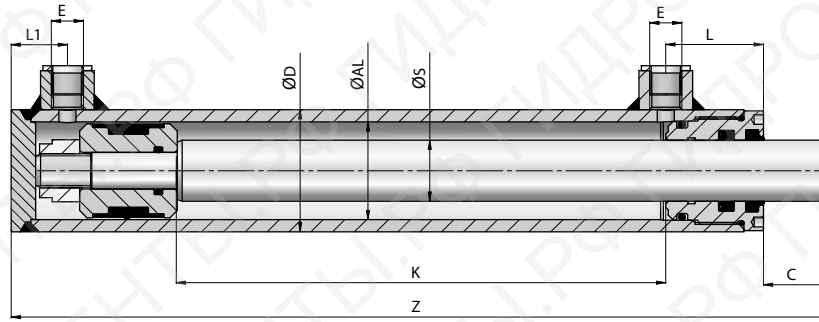


| Обозначение               | K    | Z    | кг    | E<br>BSP   | L   | L1                        | C    | Обозначение           | K    | Z    | кг    |
|---------------------------|------|------|-------|------------|-----|---------------------------|------|-----------------------|------|------|-------|
| <b>ØD 35 ØAL 25 ØS 16</b> |      |      |       |            |     |                           |      |                       |      |      |       |
| HM0025160050              | 50   | 135  | 0,71  | 1/4"       | 33  | 15                        | 17   |                       |      |      |       |
| HM0025160100              | 100  | 185  | 0,97  |            |     |                           |      |                       |      |      |       |
| HM0025160150              | 150  | 235  | 1,23  |            |     |                           |      |                       |      |      |       |
| HM0025160200              | 200  | 285  | 1,50  |            |     |                           |      |                       |      |      |       |
| <b>ØD 42 ØAL 32 ØS 20</b> |      |      |       |            |     |                           |      |                       |      |      |       |
| HM0032200050              | 50   | 155  | 1,27  | 1/4"       | 33  | 20                        | 16   |                       |      |      |       |
| HM0032200100              | 100  | 205  | 1,62  |            |     |                           |      |                       |      |      |       |
| HM0032200150              | 150  | 255  | 1,97  |            |     |                           |      |                       |      |      |       |
| HM0032200200              | 200  | 305  | 2,33  |            |     |                           |      |                       |      |      |       |
| HM0032200250              | 250  | 355  | 2,68  |            |     |                           |      |                       |      |      |       |
| HM0032200300              | 300  | 405  | 3,03  |            |     |                           |      |                       |      |      |       |
| HM0032200400              | 400  | 505  | 3,73  |            |     |                           |      |                       |      |      |       |
| HM0032200500              | 500  | 605  | 4,42  |            |     |                           |      |                       |      |      |       |
| <b>ØD 50 ØAL 40 ØS 20</b> |      |      |       |            |     | <b>ØD 50 ØAL 40 ØS 25</b> |      |                       |      |      |       |
| HM01200100                | 100  | 230  | 2,29  | 1/4"       | 40  | 23                        | 22   | HM01250100            | 100  | 230  | 2,45  |
| HM01200150                | 150  | 280  | 2,69  |            |     |                           |      | HM01250150            | 150  | 280  | 2,92  |
| HM01200200                | 200  | 330  | 3,09  |            |     |                           |      | HM01250200            | 200  | 330  | 3,40  |
| HM01200250                | 250  | 380  | 3,49  |            |     |                           |      | HM01250250            | 250  | 380  | 3,86  |
| HM01200300                | 300  | 430  | 3,83  |            |     |                           |      | HM01250300            | 300  | 430  | 4,33  |
| HM01200350                | 350  | 480  | 4,29  |            |     |                           |      | HM01250350            | 350  | 480  | 4,80  |
| HM01200400                | 400  | 530  | 4,69  |            |     |                           |      | HM01250400            | 400  | 530  | 5,27  |
| HM01200450                | 450  | 580  | 5,08  |            |     |                           |      | HM01250450            | 450  | 580  | 5,74  |
| HM01200500                | 500  | 630  | 5,49  |            |     |                           |      | HM01250500            | 500  | 630  | 6,21  |
|                           |      |      |       |            |     |                           |      | HM01250550            | 550  | 680  | 6,68  |
|                           |      |      |       | HM01250600 | 600 | 730                       | 7,14 |                       |      |      |       |
| <b>ØD 60 ØAL 50 ØS 25</b> |      |      |       |            |     | <b>ØD 60 ØAL 50 ØS 30</b> |      |                       |      |      |       |
| HM02250100                | 100  | 240  | 3,30  | 3/8"       | 43  | 26                        | 22   | HM02300100            | 100  | 240  | 3,51  |
| HM02250150                | 150  | 290  | 3,83  |            |     |                           |      | HM02300150            | 150  | 290  | 4,12  |
| HM02250200                | 200  | 340  | 4,36  |            |     |                           |      | HM02300200            | 200  | 340  | 4,70  |
| HM02250250                | 250  | 390  | 4,89  |            |     |                           |      | HM02300250            | 250  | 390  | 5,40  |
| HM02250300                | 300  | 440  | 5,42  |            |     |                           |      | HM02300300            | 300  | 440  | 6,00  |
| HM02250350                | 350  | 490  | 5,95  |            |     |                           |      | HM02300350            | 350  | 490  | 6,60  |
| HM02250400                | 400  | 540  | 6,48  |            |     |                           |      | HM02300400            | 400  | 540  | 7,20  |
| HM02250450                | 450  | 590  | 7,01  |            |     |                           |      | HM02300450            | 450  | 590  | 7,81  |
| HM02250500                | 500  | 640  | 7,54  |            |     |                           |      | HM02300500            | 500  | 640  | 8,42  |
| HM02250550                | 550  | 690  | 8,07  |            |     |                           |      | HM02300550            | 550  | 690  | 9,00  |
| HM02250600                | 600  | 740  | 8,60  |            |     |                           |      | HM02300600            | 600  | 740  | 9,70  |
| HM02250700 <b>NEW</b>     | 700  | 840  | 9,66  |            |     |                           |      | HM02300700            | 700  | 840  | 10,90 |
| HM02250800                | 800  | 940  | 10,72 |            |     |                           |      | HM02300800            | 800  | 940  | 12,10 |
| HM02251000                | 1000 | 1140 | 12,83 |            |     |                           |      | HM02301000            | 1000 | 1140 | 14,60 |
| <b>ØD 70 ØAL 60 ØS 30</b> |      |      |       |            |     | <b>ØD 70 ØAL 60 ØS 35</b> |      |                       |      |      |       |
| HM03300100                | 100  | 260  | 4,90  | 3/8"       | 50  | 30                        | 23   | HM03350100            | 100  | 260  | 5,10  |
| HM03300150                | 150  | 310  | 5,60  |            |     |                           |      | HM03350150            | 150  | 310  | 5,90  |
| HM03300200                | 200  | 360  | 6,20  |            |     |                           |      | HM03350200            | 200  | 360  | 6,70  |
| HM03300250                | 250  | 410  | 6,90  |            |     |                           |      | HM03350250            | 250  | 410  | 7,50  |
| HM03300300                | 300  | 460  | 7,60  |            |     |                           |      | HM03350300            | 300  | 460  | 8,20  |
| HM03300350                | 350  | 510  | 8,30  |            |     |                           |      | HM03350350            | 350  | 510  | 9,00  |
| HM03300400                | 400  | 560  | 8,90  |            |     |                           |      | HM03350400            | 400  | 560  | 9,80  |
| HM03300450                | 450  | 610  | 9,60  |            |     |                           |      | HM03350450            | 450  | 610  | 10,60 |
| HM03300500                | 500  | 660  | 10,30 |            |     |                           |      | HM03350500            | 500  | 660  | 11,30 |
| HM03300550                | 550  | 710  | 11,00 |            |     |                           |      | HM03350550            | 550  | 710  | 12,10 |
| HM03300600                | 600  | 760  | 11,60 |            |     |                           |      | HM03350600            | 600  | 760  | 12,90 |
| HM03300700 <b>NEW</b>     | 700  | 860  | 12,99 |            |     |                           |      | HM03350700 <b>NEW</b> | 700  | 860  | 14,44 |
| HM03300800                | 800  | 960  | 14,30 |            |     |                           |      | HM03350800            | 800  | 960  | 16,00 |
| HM03301000                | 1000 | 1160 | 17,00 |            |     |                           |      | HM03351000            | 1000 | 1160 | 19,10 |

ГИДРОЦИЛИНДР ДВУХСТОРОННЕГО ДЕЙСТВИЯ

НМО

Серия М250



| Обозначение                 | K    | Z    | кг    | E<br>BSP              | L    | L1   | C     | Обозначение                 | K    | Z    | кг    |
|-----------------------------|------|------|-------|-----------------------|------|------|-------|-----------------------------|------|------|-------|
| <b>ØD 70 ØAL 60 ØS 40</b>   |      |      |       |                       |      |      |       | <b>ØD 73 ØAL 63 ØS 40</b>   |      |      |       |
| HM03400200                  | 200  | 360  | 7,30  | 3/8"                  | 50   | 30   | 23    | HM0063400200                | 200  | 360  | 7,50  |
| HM03400250                  | 250  | 410  | 8,20  |                       |      |      |       | HM0063400250                | 250  | 410  | 8,40  |
| HM03400300                  | 300  | 460  | 9,10  |                       |      |      |       | HM0063400300                | 300  | 460  | 9,30  |
| HM03400350                  | 350  | 510  | 10,00 |                       |      |      |       | HM0063400350                | 350  | 510  | 10,30 |
| HM03400400                  | 400  | 560  | 10,90 |                       |      |      |       | HM0063400400                | 400  | 560  | 11,20 |
| HM03400450                  | 450  | 610  | 11,80 |                       |      |      |       | HM0063400450                | 450  | 610  | 12,10 |
| HM03400500                  | 500  | 660  | 12,70 |                       |      |      |       | HM0063400500                | 500  | 660  | 13,00 |
| HM03400550                  | 550  | 710  | 13,60 |                       |      |      |       | HM0063400550                | 550  | 710  | 13,90 |
| HM03400600                  | 600  | 760  | 14,40 |                       |      |      |       | HM0063400600                | 600  | 760  | 14,80 |
| HM03400700 <b>NEW</b>       | 700  | 860  | 16,23 |                       |      |      |       | HM0063400700 <b>NEW</b>     | 700  | 860  | 16,64 |
| HM03400800                  | 800  | 960  | 18,00 | HM0063400800          | 800  | 960  | 18,40 |                             |      |      |       |
| HM03401000                  | 1000 | 1160 | 21,60 | HM0063401000          | 1000 | 1160 | 22,10 |                             |      |      |       |
| <b>ØD 80 ØAL 70 ØS 35</b>   |      |      |       |                       |      |      |       | <b>ØD 80 ØAL 70 ØS 40</b>   |      |      |       |
| HM04350100                  | 100  | 260  | 6,10  | 3/8"                  | 50   | 33   | 23    | HM04400100 <b>NEW</b>       | 100  | 260  | 6,48  |
| HM04350150                  | 150  | 310  | 6,90  |                       |      |      |       | HM04400150 <b>NEW</b>       | 150  | 310  | 7,43  |
| HM04350200                  | 200  | 360  | 7,80  |                       |      |      |       | HM04400200                  | 200  | 360  | 8,40  |
| HM04350250                  | 250  | 410  | 8,60  |                       |      |      |       | HM04400250                  | 250  | 410  | 9,30  |
| HM04350300                  | 300  | 460  | 9,40  |                       |      |      |       | HM04400300                  | 300  | 460  | 10,30 |
| HM04350350                  | 350  | 510  | 10,30 |                       |      |      |       | HM04400350                  | 350  | 510  | 11,20 |
| HM04350400                  | 400  | 560  | 11,10 |                       |      |      |       | HM04400400                  | 400  | 560  | 12,20 |
| HM04350450                  | 450  | 610  | 12,00 |                       |      |      |       | HM04400450                  | 450  | 610  | 13,10 |
| HM04350500                  | 500  | 660  | 12,80 |                       |      |      |       | HM04400500                  | 500  | 660  | 14,10 |
| HM04350550                  | 550  | 710  | 13,60 |                       |      |      |       | HM04400550                  | 550  | 710  | 15,10 |
| HM04350600                  | 600  | 760  | 14,50 | HM04400600            | 600  | 760  | 15,99 |                             |      |      |       |
| HM04350700 <b>NEW</b>       | 700  | 860  | 16,15 | HM04400700 <b>NEW</b> | 700  | 860  | 17,91 |                             |      |      |       |
| HM04350800                  | 800  | 960  | 17,80 | HM04400800            | 800  | 960  | 19,80 |                             |      |      |       |
| HM04351000                  | 1000 | 1160 | 21,20 | HM04401000            | 1000 | 1160 | 23,60 |                             |      |      |       |
| <b>ØD 92 ØAL 80 ØS 40</b>   |      |      |       |                       |      |      |       | <b>ØD 92 ØAL 80 ØS 50</b>   |      |      |       |
| HM05400200                  | 200  | 380  | 11,22 | 1/2"                  | 60   | 35   | 25    | HM05500200                  | 200  | 380  | 12,47 |
| HM05400250                  | 250  | 430  | 12,34 |                       |      |      |       | HM05500250                  | 250  | 430  | 13,88 |
| HM05400300                  | 300  | 480  | 13,46 |                       |      |      |       | HM05500300                  | 300  | 480  | 15,28 |
| HM05400400                  | 400  | 580  | 15,72 |                       |      |      |       | HM05500400                  | 400  | 580  | 18,09 |
| HM05400500                  | 500  | 680  | 17,77 |                       |      |      |       | HM05500500                  | 500  | 680  | 20,90 |
| HM05400600                  | 600  | 780  | 20,22 |                       |      |      |       | HM05500600 <b>NEW</b>       | 600  | 780  | 23,70 |
| HM05400700 <b>NEW</b>       | 700  | 880  | 22,47 |                       |      |      |       | HM05500700 <b>NEW</b>       | 700  | 880  | 26,50 |
| HM05400800                  | 800  | 980  | 24,72 |                       |      |      |       | HM05500800                  | 800  | 980  | 29,50 |
| HM05401000                  | 1000 | 1180 | 29,22 |                       |      |      |       | HM05501000                  | 1000 | 1180 | 35,00 |
| <b>ØD 105 ØAL 90 ØS 50</b>  |      |      |       |                       |      |      |       |                             |      |      |       |
| HM0090500300                | 300  | 486  | 19,30 | 1/2"                  | 60   | 40   | 23    |                             |      |      |       |
| HM0090500400                | 400  | 586  | 22,64 |                       |      |      |       |                             |      |      |       |
| HM0090500500                | 500  | 686  | 25,97 |                       |      |      |       |                             |      |      |       |
| HM0090500600                | 600  | 786  | 29,30 |                       |      |      |       |                             |      |      |       |
| HM0090500700 <b>NEW</b>     | 700  | 886  | 32,63 |                       |      |      |       |                             |      |      |       |
| HM0090500800                | 800  | 986  | 35,97 |                       |      |      |       |                             |      |      |       |
| HM0090501000                | 1000 | 1186 | 42,64 |                       |      |      |       |                             |      |      |       |
| <b>ØD 115 ØAL 100 ØS 50</b> |      |      |       |                       |      |      |       | <b>ØD 115 ØAL 100 ØS 60</b> |      |      |       |
| HM06500200                  | 200  | 410  | 19,60 | 1/2"                  | 82   | 38   | 25    |                             |      |      |       |
| HM06500250                  | 250  | 460  | 21,38 |                       |      |      |       |                             |      |      |       |
| HM06500300                  | 300  | 510  | 23,14 |                       |      |      |       |                             |      |      |       |
| HM06500400                  | 400  | 610  | 26,65 |                       |      |      |       |                             |      |      |       |
| HM06500500                  | 500  | 710  | 30,17 |                       |      |      |       |                             |      |      |       |
| HM06500600                  | 600  | 810  | 33,69 |                       |      |      |       |                             |      |      |       |
| HM06500700 <b>NEW</b>       | 700  | 910  | 37,21 |                       |      |      |       |                             |      |      |       |
| HM06500800                  | 800  | 1010 | 40,72 |                       |      |      |       |                             |      |      |       |
| HM06501000                  | 1000 | 1210 | 47,50 |                       |      |      |       |                             |      |      |       |
|                             |      |      |       |                       |      |      |       |                             |      |      |       |
|                             |      |      |       |                       |      |      |       | HM06600400                  | 400  | 610  | 29,52 |
|                             |      |      |       |                       |      |      |       | HM06600500                  | 500  | 710  | 33,71 |
|                             |      |      |       |                       |      |      |       | HM06600600 <b>NEW</b>       | 600  | 810  | 37,90 |
|                             |      |      |       |                       |      |      |       | HM06600700 <b>NEW</b>       | 700  | 910  | 42,10 |
|                             |      |      |       |                       |      |      |       | HM06600800                  | 800  | 1010 | 46,30 |
|                             |      |      |       |                       |      |      |       | HM06601000                  | 1000 | 1210 | 54,69 |

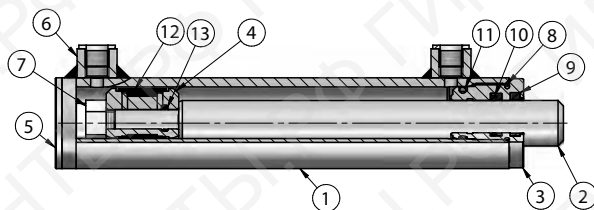
Материал гильзы: сталь St 52.3 по стандарту DIN 2393 ISO H9.

Материал штока: сталь по UNI C45 SAE 1045, толщина хромого покрытия штока 25 мкм ±5, класс 9 / 200h ISO 10289 – 1999/ISO 9227-NSS

Технические характеристики показаны на стр. 30

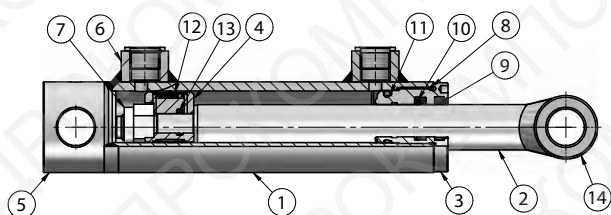
## ТЕХНИЧЕСКИЕ ХАРАКТЕРИСТИКИ

### ТИП "НМО" - "НМОЛМ"



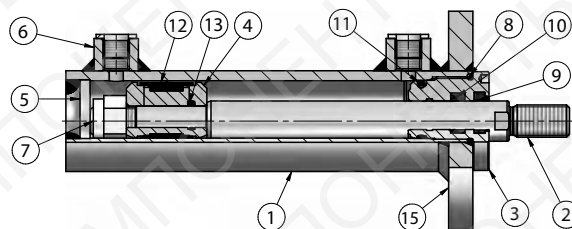
"НМО" Макс. рабочее давление : 250 Бар (\*\*)  
 "НМОЛМ" Макс. рабочее давление : 180 Бар

### ТИП "HFR2S"



"HFR2S" Макс. рабочее давление : 250 Бар (\*\*)

### ТИП "НMF"



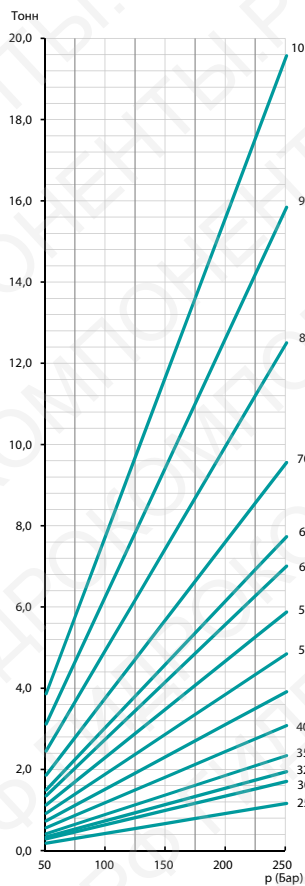
"НMF" Макс. рабочее давление : 250 Бар (\*\*)

| ПРОДУКЦИЯ  | МАТЕРИАЛ  |
|--|---|
| 1. ПОЛИРОВАННАЯ ТРУБА  | СТАЛЬ: St 52.3 по стандарту DIN 2393 ISO H9   |
| 2. ХРОМИРОВАННЫЙ ШТОК  | СТАЛЬ: UNI C45 SAE 1045, толщина хромового покрытия штока 25 мкм ±5, класс 9 / 200h ISO 10289 – 1999/ISO 9227-N5S |
| 3. КРЫШКА  | ЧУГУН: EN-GJL 250 (G25-UNI 5007/EN 1561)  |
| 4. ПОРШЕНЬ   | СТАЛЬ: 9SMn28   |
| 5. ЗАГЛУШКА  | СТАЛЬ: S355J0 (Fe510C) - S355JR (A105)  |
| 6. БОНКА   | СТАЛЬ   |
| 7. КОНТРГАЙКА  | СТАЛЬ: UNI 7473 – 7474  |
| 8. УПЛОТНЕНИЕ O-RING   | NBR 70 SHORE  |
| 9. УПЛОТНЕНИЕ GHN  | Полиуретан  |
| 10. УПЛОТНЕНИЕ TSE-TTS-TTI/L   | TSE: NBR+FABRIC TTS-TTI/L: Полиуретан   |
| 11. УПЛОТНЕНИЕ O-RING  | NBR 70 SHORE  |
| 12. УПЛОТНЕНИЕ TRM   | NBR+POM+TRP   |
| 13. УПЛОТНЕНИЕ O-RING  | NBR 70 SHORE  |
| 14. ПРОУШИНА   | СТАЛЬ:S355J0 (Fe510C)   |
| 15. ФЛАНЕЦ   | СТАЛЬ:S355J0 (Fe510C)   |
| Макс. Скорость 0,5 м/с      Диапазон рабочих температур: -25°C - +80°C |   |

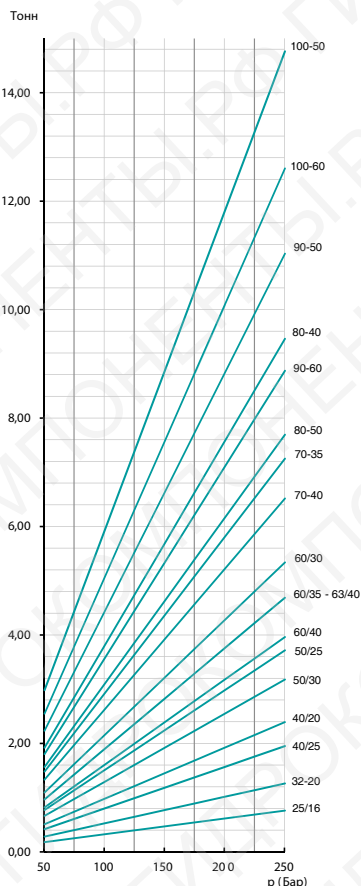
(\*\*) Всегда проверяйте давление гидроцилиндра в зависимости от его применения

ТЕХНИЧЕСКИЕ ХАРАКТЕРИСТИКИ

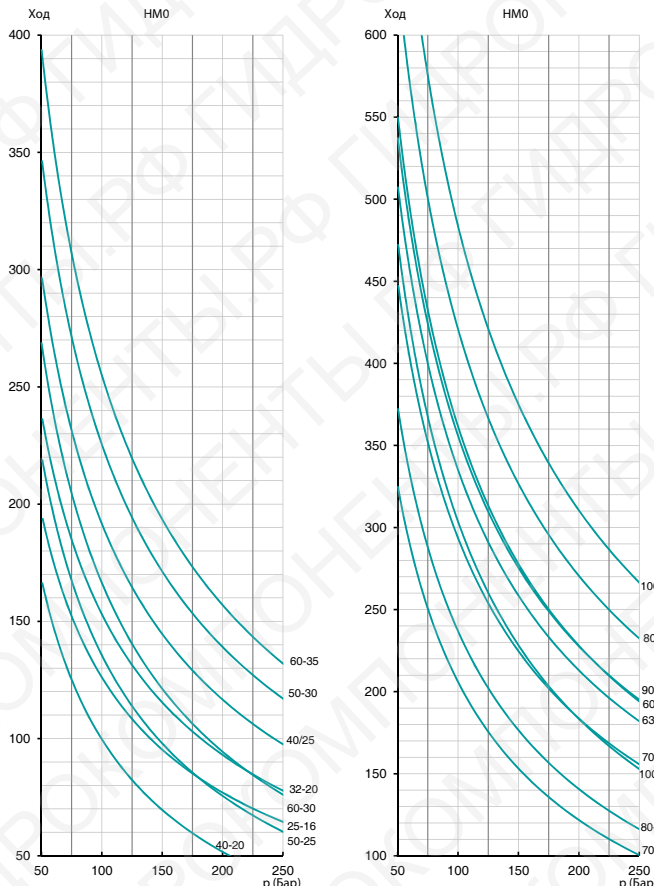
ТОЛКАЮЩЕЕ УСИЛИЕ



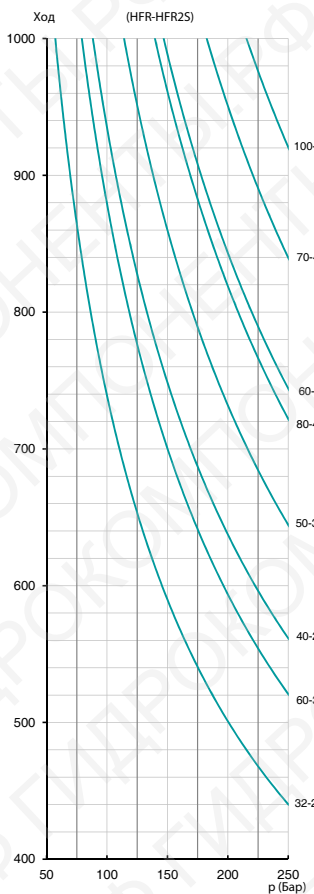
ТЯНУЩЕЕ УСИЛИЕ



ПРОДОЛЬНЫЙ ИЗГИБ ( НМ0 )



ПРОДОЛЬНЫЙ ИЗГИБ ( HFR-HFR2S )



ПРОДОЛЬНЫЙ ИЗГИБ ( НМF )

